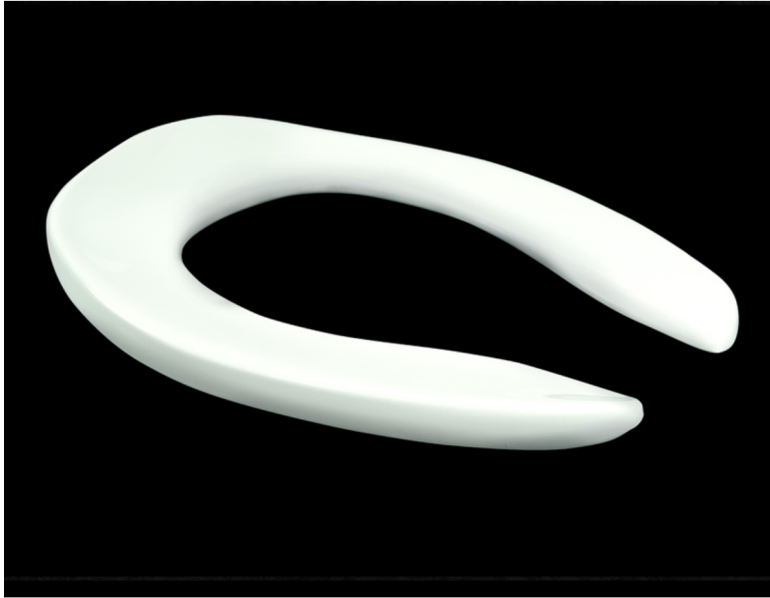


**COMMERCIAL HEAVY DUTY**

**Product Specifications**

<b>Shape</b>	Elongated
<b>Seat Material</b>	Polypropylene
<b>Seat Form</b>	Open front
<b>Commercial Hinge</b>	Yes
<b>Bolt Material</b>	Zinc plated steel
<b>Hardware Material</b>	Plastic
<b>Check Hinge</b>	Yes
<b>Cover</b>	No
<b>Custom Gasket</b>	Yes
<b>Color</b>	Crane white

---

**Warranty** 1 year limited warranty

---

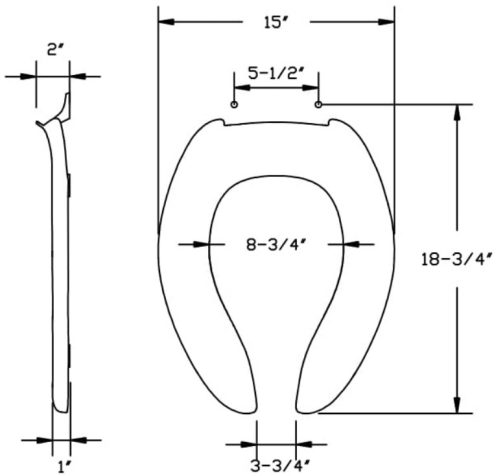
**Available Colors**

White, crane white, black,

---

**Features**
**Commercial Hinge**

Includes commercial grade hinges. One piece solid metal hinge pin and bolt over molded with plastic.



Dimensions shown are nominal and may vary within a range of tolerance. Product specifications are subject to change without notice.